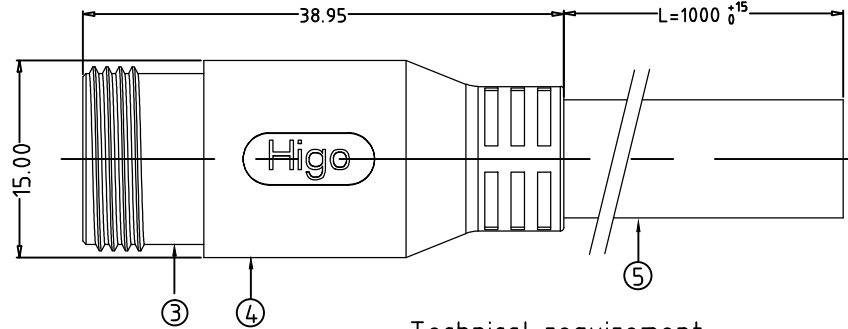
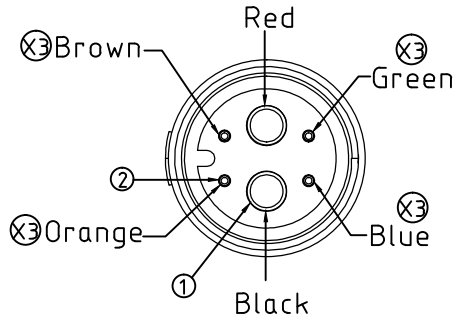


Rev.:X3

ECN. NO.	REV.	DATE	DESCRIPTION	CHANGE	APPD.
	X1	06/30'2018	initial publish	/	
	X2	09/07'2018	change the color of wire	/	
	X3	11/01'2018	change the color of wire	/	



Technical requirement:

1.Electrical characteristics:

1.1 100% short/open/fault line test,test parameters:

Insulation resistance:DC 250V/20M Ω /0.05S

Dielectric withstanding voltage:AC 500V/2mA/0.05S.

1.2Voltage rating:48V AC

1.3Current rating:40Amps MAX (ϕ 3.0pin)
2Amps (0.8pin)

2.Mechanical characteristics:

2.1Assembly style:Screw locking structure

2.2Mating cycles:200times


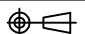
3.Environment requirement:

3.1Environmental protection,conforms to RoHS.

3.2Operation temperature: - 25 $^{\circ}$ C ~ + 80 $^{\circ}$ C

4.Degree of protection: IP67 in mated condition

5	6pin ϕ 8.50,2 \times 4.0mm ² +4 \times 0.2mm ² , Tinned,teflon insulation,PVC jacket	1PCS
4	615 male shell	1PCS
4.1	PVC 95A	1PCS
3	615 male housing	1PCS
3.1	PBT 30%GF	/
2	ϕ 0.8pin	4PCS
1	ϕ 3.0pin	2PCS
Item	Specification	QTY

MAT'L: N/A		 上海海固电器设备有限公司 Shanghai Higo Electronic Technology Co., Ltd.			
UNITS: mm		TITLE: L615 male cable		PART NO.: L615AG P 00 DC 1000	
X \pm : 1	X $^{\circ}$ \pm : 5 $^{\circ}$	APPD:		DWG NO.:	
.X \pm : 0.50	.X $^{\circ}$ \pm : 2 $^{\circ}$	CHED:		/	
.XX \pm :0.15	.XX $^{\circ}$ \pm :1 $^{\circ}$	DRAW: EY.uo 11/01'2018		 SCALE SHEET SHEET REV. N/A 1/1	