

# Product data sheet

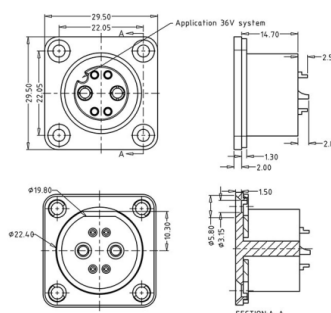
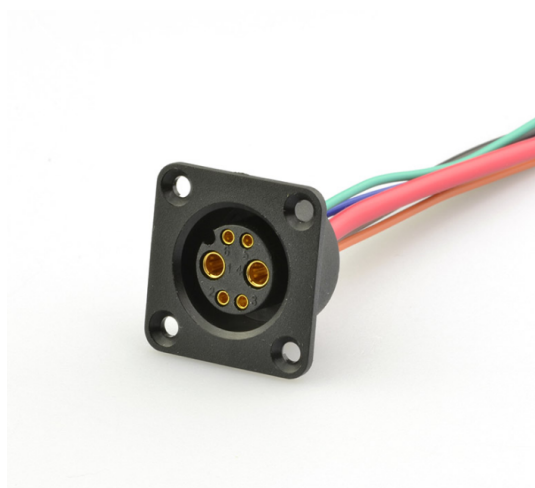
## Higo - Battery - Z624C

Battery female panel mount connector 36V code, no locking (push-on)

### Only for use in 36V applications

Z624CM C 05 D1 0150

<https://www.higoconnector.com/en/e-bike-connector/z624cmc05d10150>



## Specifications

### General Characteristics

Number of contacts	6 (2+4)
Connector shape	Panel mount
Gender	Female
Color	Black
Upper temperature	80 °C
Lower temperature	-25 °C
IP Protection	IP67
Mating cycles	3000 Times
Connector diameter	19 mm
Cable Length	Single wires 150 mm
Wire section	2 x 2,0 + 4 x 0,34 mm <sup>2</sup>
Remark	Other cable length/type on request

# Product data sheet

## Higo - Battery - Z624C

Battery female panel mount connector 36V code, no locking (push-on)

### Electrical Parameters

<b>Rated current</b>	45 / 5 A
<b>Rated voltage</b>	48 V AC / 60 V DC
<b>Max. insulation resistance</b>	$\geq 20$ M $\Omega$
<b>Max. contact resistance</b>	$\leq 10$ m $\Omega$

### Material

<b>Material of contact</b>	Phosphor bronze
<b>Contact plating</b>	Gold over Nickel