

# Product data sheet

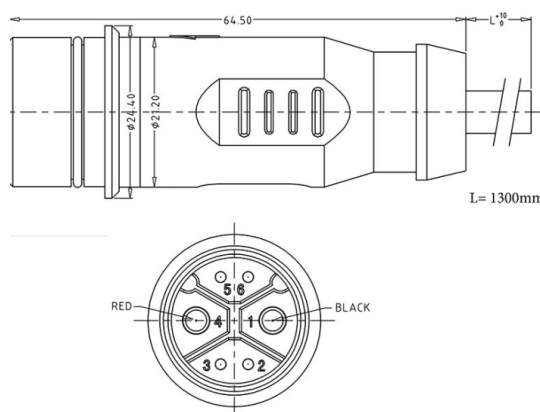
## Higo - Battery - Z624B

Battery male plug connector 48V code, no locking push-on

### Only for use in 48V applications

Z624BG P 00 FH 1000

<https://www.higoconnector.com/en/e-bike-connector/z624bgp00fh1000>



## Specifications

### General Characteristics

Number of contacts	6 (2+4)
Connector shape	Plug
Gender	Male
Color	Black
Upper temperature	80 °C
Lower temperature	-25 °C
Locking	Push-on (no locking)
IP Protection	IP67
Mating cycles	3000 Times
Connector diameter	21,2 mm
Cable Length	1000 mm
Cable diameter	8,0 mm
Wire section	2 x 2,0 + 4 x 0,34 mm <sup>2</sup>

# Product data sheet



## Higo - Battery - Z624B

Battery male plug connector 48V code, no locking push-on

Remark

Other cable length/type on request

# Product data sheet

## Higo - Battery - Z624B

Battery male plug connector 48V code, no locking push-on

### Electrical Parameters

<b>Rated current</b>	20 / 5 A
<b>Rated voltage</b>	48 V AC / 60 V DC
<b>Max. insulation resistance</b>	≥20 MΩ
<b>Max. contact resistance</b>	≤10 mΩ

### Material

<b>Material jacket</b>	TPU
<b>Insulation wire</b>	FEP
<b>Material of contact</b>	Brass
<b>Contact plating</b>	Silver over Nickel