

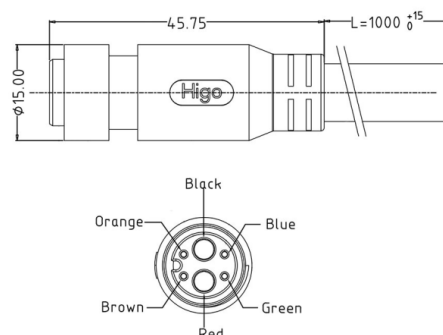
Product data sheet

Higo - Battery - L615A

Female cable connector

L615AM P 00 DC 1000

<https://www.higoconnector.com/en/e-bike-connector/l615amp00dc1000>



Specifications

General Characteristics

Number of contacts	6(2+4)
Connector shape	Plug
Gender	Female
Color	Black
Upper temperature	80 °C
Lower temperature	-25 °C
IP Protection	IP67
Mating cycles	200 Times
Connector diameter	15 mm
Fitting length	77 mm
Cable Length	1000 mm
Wire section	2 x 4,0 + 4 x 0,2 mm ²
Remark	Other cable length/type on request

Product data sheet

Higo - Battery - L615A

Female cable connector

Electrical Parameters

Rated current	40 / 2 A
Rated voltage	48 V AC / 60 V DC
Max. insulation resistance	$\geq 20 \text{ M}\Omega$
Max. contact resistance	$\leq 10 \text{ m}\Omega$

Material

Material jacket	PVC
Insulation wire	PTFE
Material of contact	Phosphor bronze
Contact plating	Gold over Nickel