

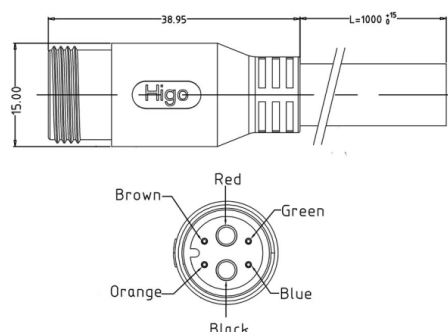
# Product data sheet

## Higo - Battery - L615A

### Male cable connector

L615AG P 00 DC 1000

<https://www.higoconnector.com/en/e-bike-connector/l615agp00dc1000>



## Specifications

### General Characteristics

Number of contacts	6(2+4)
Connector shape	Plug
Gender	Male
Color	Black
Upper temperature	80 °C
Lower temperature	-25 °C
IP Protection	IP67
Mating cycles	200 Times
Connector diameter	15 mm
Fitting length	77 mm
Cable Length	1000 mm
Wire section	2 x 4,0 + 4 x 0,2 mm <sup>2</sup>
Remark	Other cable length/type on request

# Product data sheet

## Higo - Battery - L615A

### Male cable connector

#### Electrical Parameters

<b>Rated current</b>	40 / 2 A
<b>Rated voltage</b>	48 V AC / 60 V DC
<b>Max. insulation resistance</b>	$\geq 20$ M $\Omega$
<b>Max. contact resistance</b>	$\leq 10$ m $\Omega$

#### Material

<b>Material jacket</b>	PVC
<b>Insulation wire</b>	PTFE
<b>Material of contact</b>	Brass
<b>Contact plating</b>	Gold over Nickel