

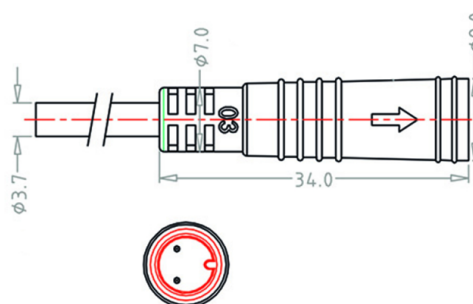
Produktdatenblatt

Higo - Signal - Mini B

Mini B Female cable connector

Z209BM P 00 A0 1000

<https://www.higoconnector.com/de/e-bike-steckverbinder/z209bmp00a01000>



Spezifikationen

General Characteristics

Number of contacts	2
Connector shape	Plug
Gender	Female
Color	Red
Upper temperature	80 °C
Lower temperature	-25 °C
IP Protection	IP66
Mating cycles	200 Times
Connector diameter	9 mm
Fitting length	62 mm
Cable Length	1000 mm
Cable diameter	3.7 mm
Wire section	0.2 mm ²
Remark	Other cable length/type on request

Produktdatenblatt

Higo - Signal - Mini B

Mini B Female cable connector

Electrical Parameters

Rated current	2 A
Rated voltage	48 V AC / 60 V DC
Max. insulation resistance	$\geq 20 \text{ M}\Omega$
Max. contact resistance	$\leq 10 \text{ m}\Omega$

Material

Material jacket	PVC
Insulation wire	PVC
Material of contact	Copper Alloy
Contact plating	Gold over Nickel